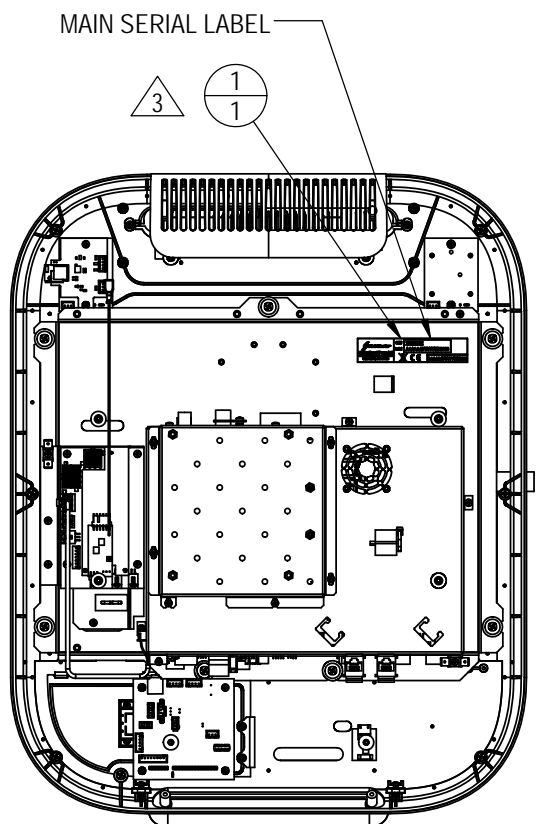
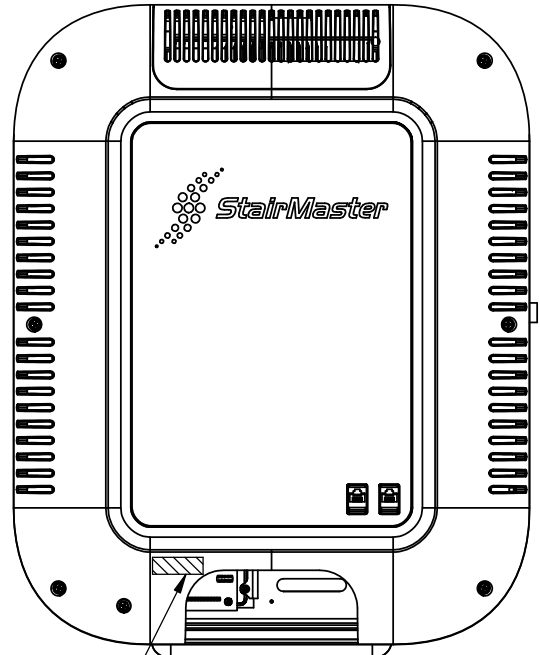
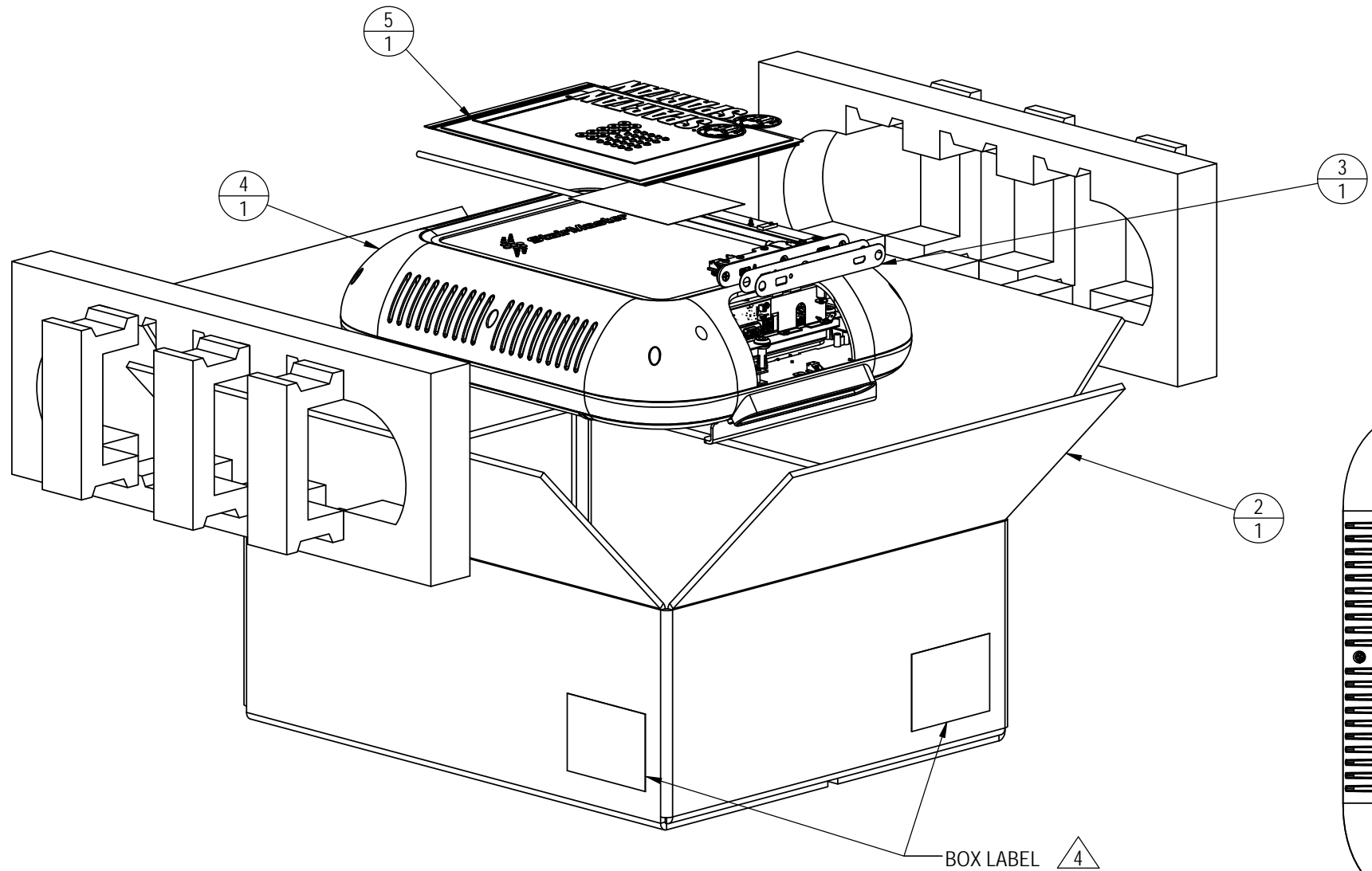


REVISION HISTORY					
REV	DATE	DESCRIPTION	ECO	BY	
A	2/25/2015	PRODUCTION RELEASE	14878	SS	
B	9/22/2015	ADD: 220-0271 (1); UPDATE SKU/SERIAL NUMBER INFORMATION	15131	MMG	
C	1/20/2016	REMOVE: 050-2408 (1); REMOVE NOTE 5	15211	MMG	
D	8/26/2016	UPDATE NOTE 6	15528	MMG	
E	3/8/2017	CHANGES MADE 701-0110-XX. CHANGED LOCATION OF SERIAL LABEL	15622	ZDH	
F	12/1/2017	REMOVED: 220-0270, 220-0271, 712-4022	15857	ZDH	



- NOTES:
- BOX SIZE:
 - WIDTH: 20.75"
 - LENGTH: 24.75"
 - HEIGHT: 10.0"
 - BOXED UNIT GROSS WEIGHT: 20LBS
 - SERIAL LABEL INFORMATION:
 - SKU: 700-0313-XX (-XX SPECIFIED IN P.O.)
 - SERIAL NUMBER: PER DOC 622-200-11
 - MANUFACTURING DATE: MM/DD/YY
 - APPLY BOX LABEL (4X) WITH THE FOLLOWING INFORMATION:
 - MODEL: CONSOLE, BCS - 15" NTSC, SM
 - SKU: 700-0313-XX (-XX SPECIFIED IN P.O.)
 - SERIAL NUMBER (SAME AS SERIAL LABEL)
 - SKU AND SERIAL NUMBER BAR CODE (Code 128)
 - ~~DELETED~~
 - COLOR DESIGNATOR PER -XX AS SPECIFIED IN PARENT SKU, -XX COLOR PER SOP 622-200-112

ITEM NO.	PART NUMBER	DESCRIPTION	QTY.
1	050-2269	LABEL, S/N DISPLAY, STAIRMASTER	1
2	050-2380	PACKAGE, DISPLAY, BCS, GD3	1
3	701-0026-XX	ASSY, USB-HDMI PANEL	1
4	701-0110-XX	ASSY, CONSOLE, BCS - 15" NTSC, SM	1
5	701-0170	KIT, TOOLS & DOCS, EMBEDDED, STAIRMASTER	1

DOCUMENT STATUS:

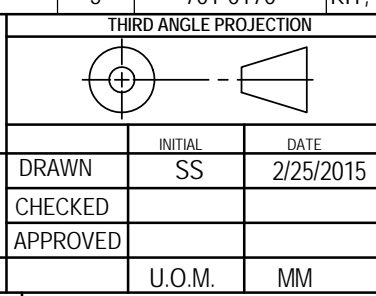
NOTICE OF PROPRIETARY INFORMATION
THIS DOCUMENT SHALL NOT BE REPRODUCED NOR SHALL THE INFORMATION CONTAINED HEREIN BE USED BY OR DISCLOSED TO OTHER EXCEPT AS EXPRESSLY AUTHORIZED BY CORE HEALTH & FITNESS, LLC.

CLASS OF WORK	UNLESS OTHERWISE SPECIFIED DIMS ARE IN mm. TOLERANCES FOR MEASURE OF LENGTH ARE:							ANGLES = ±2°		
	0.5 to 3	> 3 to 6	> 6 to 30	> 30 to 120	> 120 to 400	> 400 to 1000	> 1000 to 2000	> 2000		
FINE	±0.05	±0.05	±0.1	±0.15	±0.2	±0.3	±0.5	----		
MEDIUM	±0.1	±0.1	±0.2	±0.3	±0.5	±0.8	±1.2	±2		
COARSE	±0.2	±0.3	±0.5	±0.8	±1.2	±2	±3	±4		
VERY COARSE	----	±0.5	±1	±1.5	±2.5	±4	±6	±8		

MATERIAL
SEE BOM

FINISH
N/A

VENDOR: Digital Concepts, Inc. P/N:



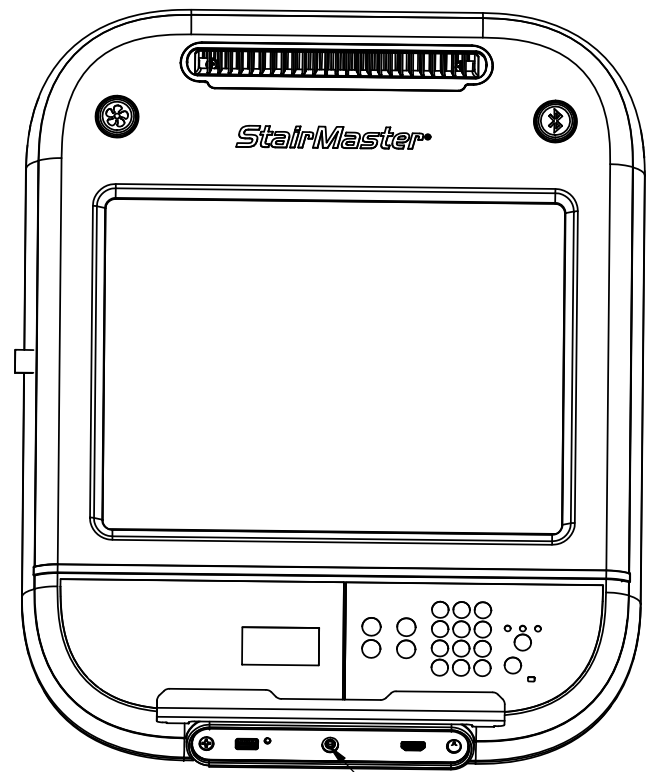
CORE HEALTH & FITNESS, LLC
4400 NE 77th Ave., Suite 300
Vancouver, WA 98662

CORE PART NO: **700-0313-XX** REV: **F**

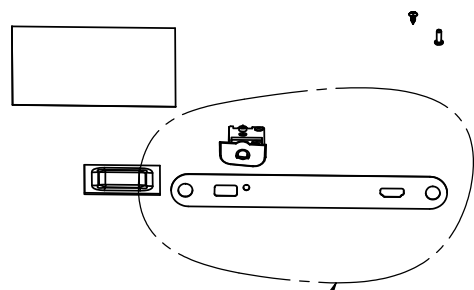
TITLE: **CONSOLE, BCS - 15" NTSC, SM**

SCALE: 1:6 SHEET 1 OF 2 SHEET SIZE: B

CONFIGURATION FOR PRODUCTS WITHOUT A HOT BAR
 (STAIRMASTER FREECLIMBER)

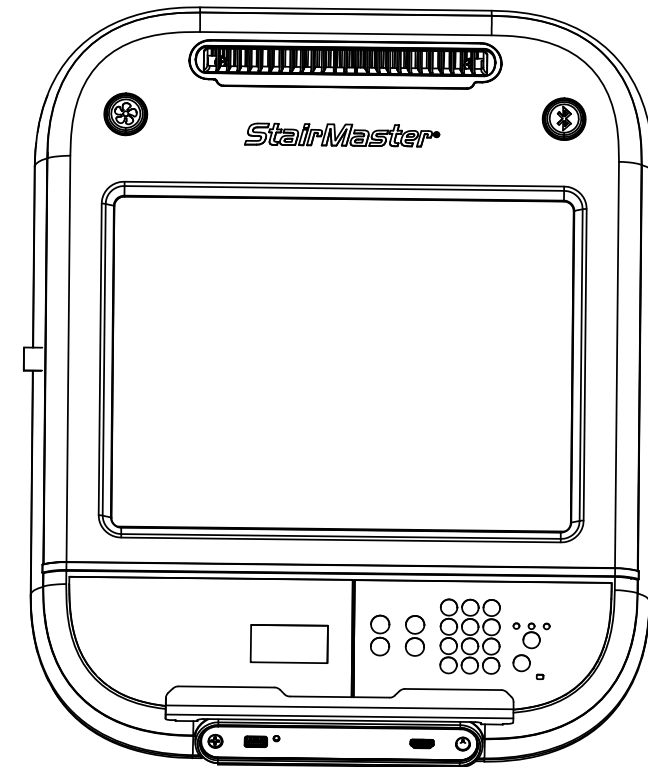


HEADPHONE JACK



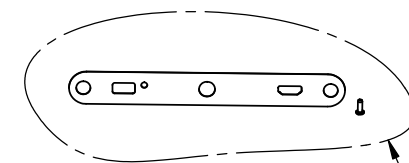
NOT NEEDED FOR THIS CONFIGURATION

CONFIGURATION FOR PRODUCTS WITH A HOT BAR
 (STAIRMASTER GAUNTLET)



INSTALL INTO HOT BAR

HEADPHONE JACK



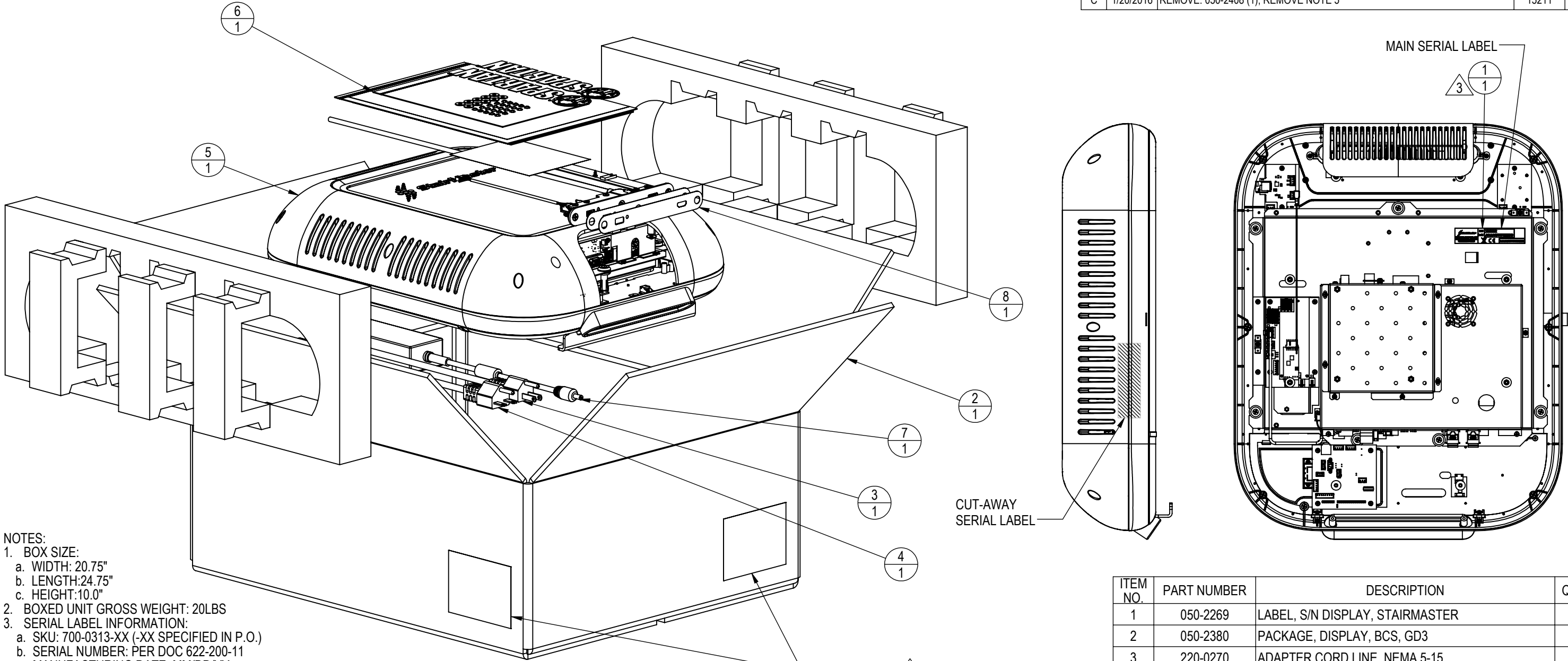
NOT NEEDED FOR THIS CONFIGURATION



CORE HEALTH & FITNESS, LLC
 4400 NE 77th Ave., Suite 300
 Vancouver, WA 98662

CORE PART NO	700-0313-XX	REV	F
TITLE	CONSOLE, BCS - 15" NTSC, SM		
SCALE: 1:5	SHEET 2 OF 2	SHEET SIZE: B	

REVISION HISTORY				
REV	DATE	DESCRIPTION	ECO	BY
A	2/25/2015	PRODUCTION RELEASE	14878	SS
B	9/22/2015	ADD: 220-0271 (1); UPDATE SKU/SERIAL NUMBER INFORMATION	15131	MMG
C	1/20/2016	REMOVE: 050-2408 (1); REMOVE NOTE 5	15211	MMG



- NOTES:
- BOX SIZE:
 - WIDTH: 20.75"
 - LENGTH: 24.75"
 - HEIGHT: 10.0"
 - BOXED UNIT GROSS WEIGHT: 20LBS
 - SERIAL LABEL INFORMATION:
 - SKU: 700-0313-XX (-XX SPECIFIED IN P.O.)
 - SERIAL NUMBER: PER DOC 622-200-11
 - MANUFACTURING DATE: MM/DD/YY
 - APPLY BOX LABEL (4X) WITH THE FOLLOWING INFORMATION:
 - MODEL: CONSOLE, BCS - 15" NTSC, SM
 - SKU: 700-0313-XX (-XX SPECIFIED IN P.O.)
 - SERIAL NUMBER (SAME AS SERIAL LABEL)
 - SKU AND SERIAL NUMBER BAR CODE (Code 128)
 - DELETED
 - COLOR: -XX COLOR DESIGNATOR AS SPECIFIED IN SOP 620-8222

ITEM NO.	PART NUMBER	DESCRIPTION	QTY.
1	050-2269	LABEL, S/N DISPLAY, STAIRMASTER	1
2	050-2380	PACKAGE, DISPLAY, BCS, GD3	1
3	220-0270	ADAPTER, CORD LINE, NEMA 5-15	1
4	220-0271	ADAPTER, CORD LINE, NEMA 6-15	1
5	701-0110-XX	ASSY, CONSOLE, BCS - 15" NTSC, SM	1
6	701-0170	KIT, TOOLS & DOCS, EMBEDDED, STAIRMASTER	1
7	712-4022	POWER SUPPLY, 90-260VAC/12VDC 5A MIN	1
8	701-0026-XX	ASSY, USB-HDMI PANEL	1

DOCUMENT STATUS:

NOTICE OF PROPRIETARY INFORMATION
 THIS DOCUMENT SHALL NOT BE REPRODUCED NOR SHALL THE INFORMATION CONTAINED HEREIN BE USED BY OR DISCLOSED TO OTHER EXCEPT AS EXPRESSLY AUTHORIZED BY CORE HEALTH & FITNESS, LLC.

CLASS OF WORK	UNLESS OTHERWISE SPECIFIED DIMS ARE IN mm. TOLERANCES FOR MEASURE OF LENGTH ARE:							ANGLES = ±2°
	0.5 to 3	>3 to 6	>6 to 30	>30 to 120	>120 to 400	>400 to 1000	>1000 to 2000	
FINE	±0.05	±0.05	±0.1	±0.15	±0.2	±0.3	±0.5	----
MEDIUM X	±0.1	±0.1	±0.2	±0.3	±0.5	±0.8	±1.2	±2
COARSE	±0.2	±0.3	±0.5	±0.8	±1.2	±2	±3	±4
VERY COARSE	----	±0.5	±1	±1.5	±2.5	±4	±6	±8

MATERIAL SEE BOM

FINISH N/A

VENDOR: Digital Concepts, Inc. P/N:

THIRD ANGLE PROJECTION		
DRAWN	INITIAL SS	DATE 2/25/2015
CHECKED		
APPROVED		

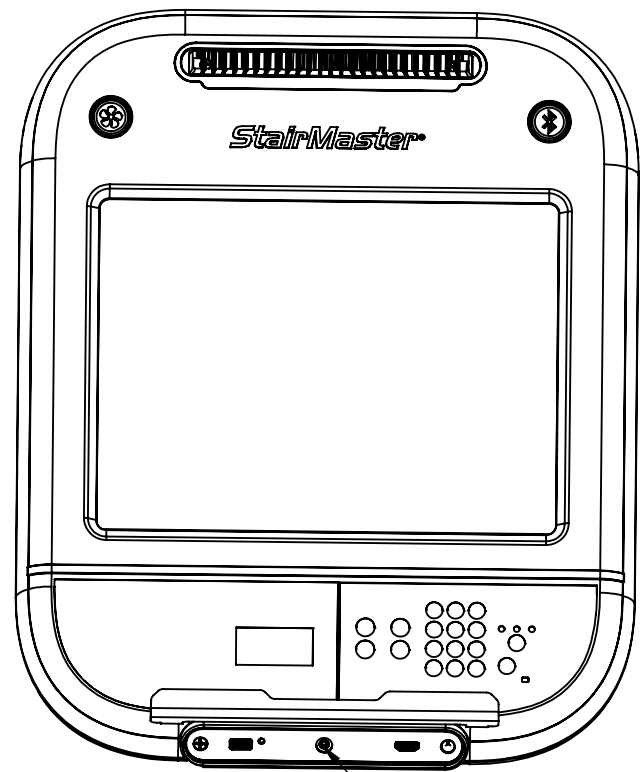
CORE HEALTH & FITNESS, LLC
 4400 NE 77th Ave., Suite 300
 Vancouver, WA 98662

CORE PART NO: **700-0313-XX** REV: **C**

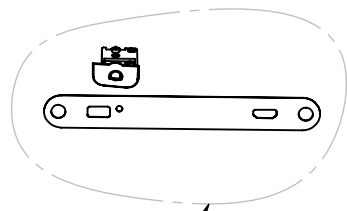
TITLE: **CONSOLE, BCS - 15" NTSC, SM**

SCALE: 1:5 | SHEET 1 OF 2 | SHEET SIZE: B

CONFIGURATION FOR PRODUCTS WITHOUT A HOT BAR
(STAIRMASTER FREECLIMBER)

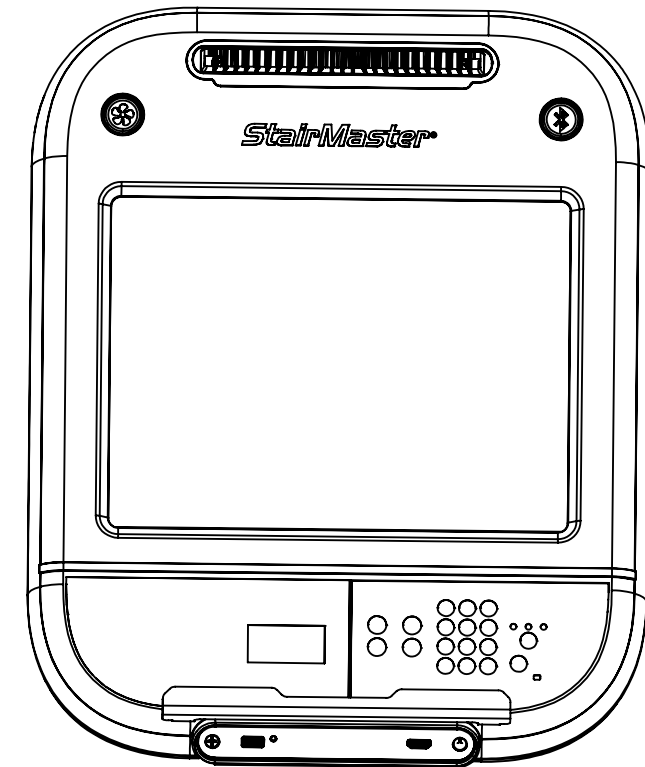


HEADPHONE JACK



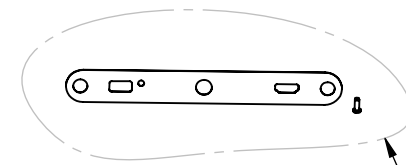
NOT NEEDED FOR THIS CONFIGURATION

CONFIGURATION FOR PRODUCTS WITH A HOT BAR
(STAIRMASTER GAUNTLET)



INSTALL INTO HOT BAR

HEADPHONE JACK



NOT NEEDED FOR THIS CONFIGURATION

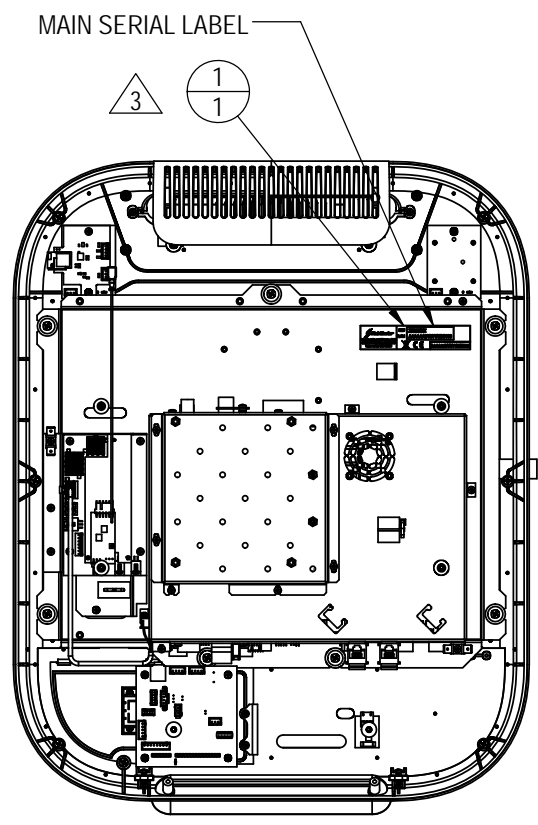
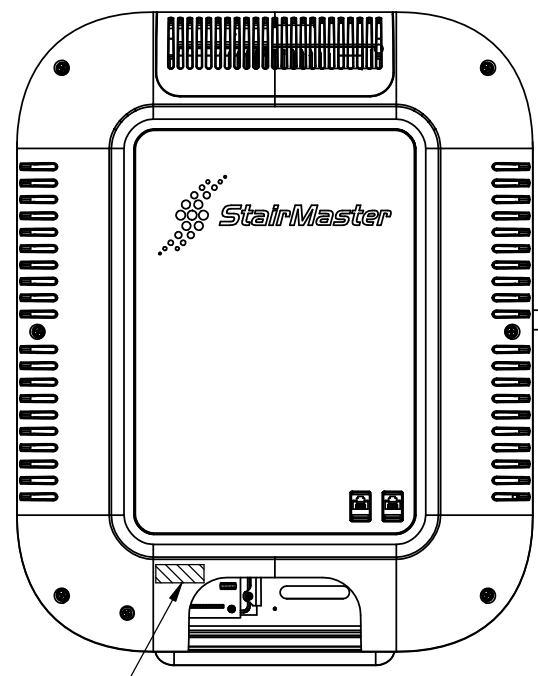
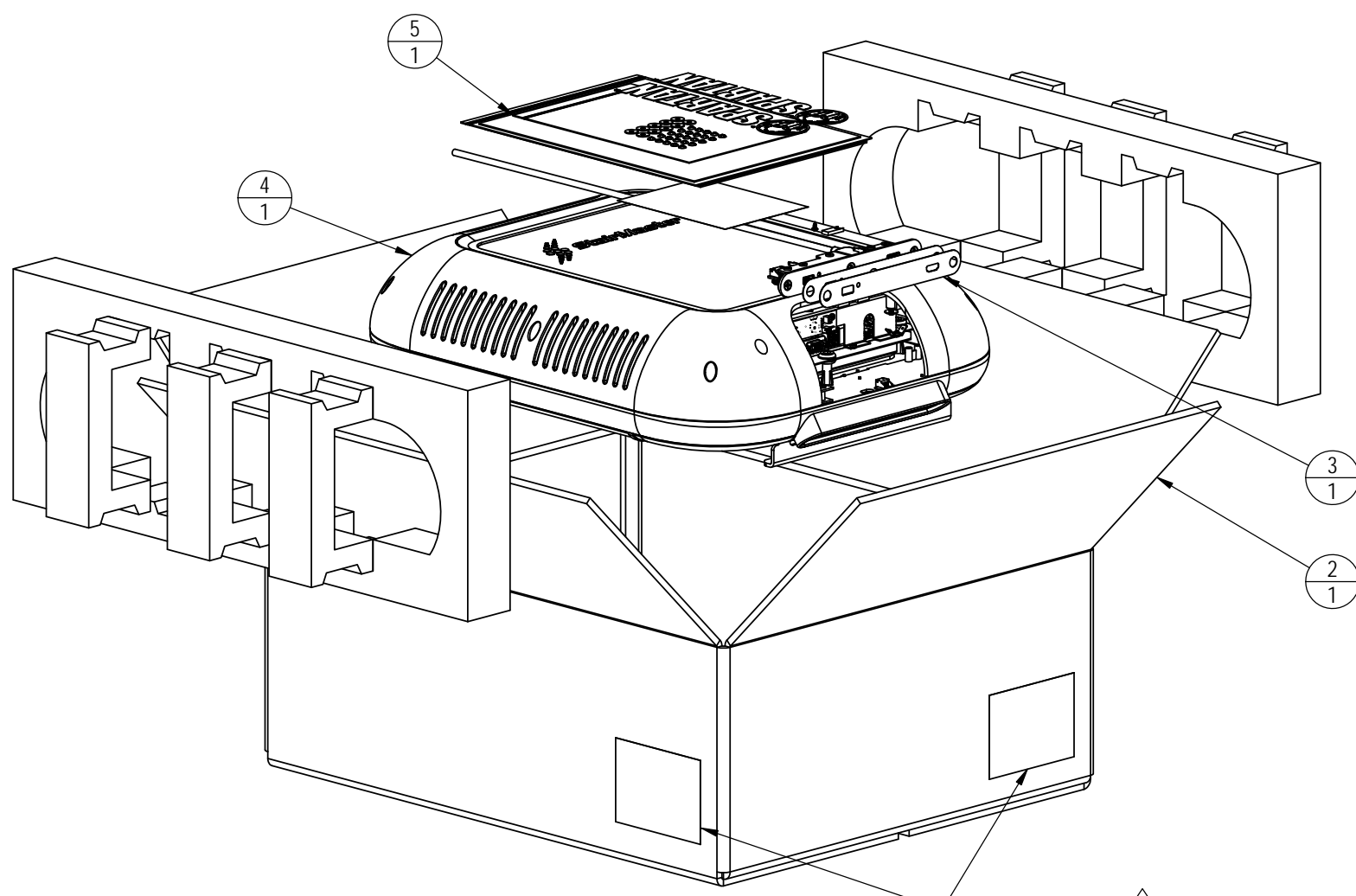
CORE HEALTH & FITNESS, LLC
4400 NE 77th Ave., Suite 300
Vancouver, WA 98662

CORE PART NO	700-0313-XX	REV	C
--------------	-------------	-----	---

TITLE	CONSOLE, BCS - 15" NTSC, SM		
-------	-----------------------------	--	--

SCALE: 1:5	SHEET 2 OF 2	SHEET SIZE: B
------------	--------------	---------------

REVISION HISTORY					
REV	DATE	DESCRIPTION	ECO	BY	
A	2/25/2015	PRODUCTION RELEASE	14878	SS	
B	9/22/2015	REMOVE: 220-0270 (1); ADD: 220-0272 (1); UPDATE SKU/SERIAL NUMBER INFORMATION	15131	MMG	
C	1/20/2016	REMOVE: 050-2408 (1); REMOVE NOTE 5	15211	MMG	
D	8/26/2016	UPDATE NOTE 6	15528	MMG	
E	3/8/2017	CHANGES MADE TO 701-0150-XX. CHANGED SERIAL LABEL LOCATION	15622	ZDH	
F	12/1/2017	REMOVED: 220-0272, 712-4022	15857	ZDH	



- NOTES:
- BOX SIZE:
 - WIDTH: 20.75"
 - LENGTH: 24.75"
 - HEIGHT: 10.0"
 - BOXED UNIT GROSS WEIGHT: 20LBS
 - SERIAL LABEL INFORMATION:
 - SKU: 700-0314-XX (-XX SPECIFIED IN P.O.)
 - SERIAL NUMBER: PER DOC 622-200-11
 - MANUFACTURING DATE: MM/DD/YY
 - APPLY BOX LABEL (4X) WITH THE FOLLOWING INFORMATION:
 - MODEL: CONSOLE, BCS - 15", PAL, SM
 - SKU: 700-0314-XX (-XX SPECIFIED IN P.O.)
 - SERIAL NUMBER (SAME AS SERIAL LABEL)
 - SKU AND SERIAL NUMBER BAR CODE (Code 128)
 - ~~DELETED~~
 - COLOR DESIGNATOR PER -XX AS SPECIFIED IN PARENT SKU, -XX COLOR PER SOP 622-200-112

ITEM NO.	PART NUMBER	DESCRIPTION	QTY.
1	050-2269	LABEL, S/N DISPLAY, STAIRMASTER	1
2	050-2380	PACKAGE, DISPLAY, BCS, GD3	1
3	701-0026-XX	ASSY, USB-HDMI PANEL	1
4	701-0150-XX	ASSY, CONSOLE, BCS - 15", PAL, SM	1
5	701-0170	KIT, TOOLS & DOCS, EMBEDDED, STAIRMASTER	1

DOCUMENT STATUS:

NOTICE OF PROPRIETARY INFORMATION
THIS DOCUMENT SHALL NOT BE REPRODUCED NOR SHALL THE INFORMATION CONTAINED HEREIN BE USED BY OR DISCLOSED TO OTHER EXCEPT AS EXPRESSLY AUTHORIZED BY CORE HEALTH & FITNESS, LLC.

CLASS OF WORK	UNLESS OTHERWISE SPECIFIED DIMS ARE IN mm. TOLERANCES FOR MEASURE OF LENGTH ARE:							ANGLES = ±2°		
	0.5 to 3	> 3 to 6	> 6 to 30	> 30 to 120	> 120 to 400	> 400 to 1000	> 1000 to 2000	> 2000		
FINE	±0.05	±0.05	±0.1	±0.15	±0.2	±0.3	±0.5	----		
MEDIUM	±0.1	±0.1	±0.2	±0.3	±0.5	±0.8	±1.2	±2		
COARSE	±0.2	±0.3	±0.5	±0.8	±1.2	±2	±3	±4		
VERY COARSE	----	±0.5	±1	±1.5	±2.5	±4	±6	±8		

MATERIAL
SEE BOM

FINISH
N/A

VENDOR: Digital Concepts, Inc. P/N:

THIRD ANGLE PROJECTION

DRAWN: SS INITIAL DATE: 2/25/2015

CHECKED: APPROVED: U.O.M. MM

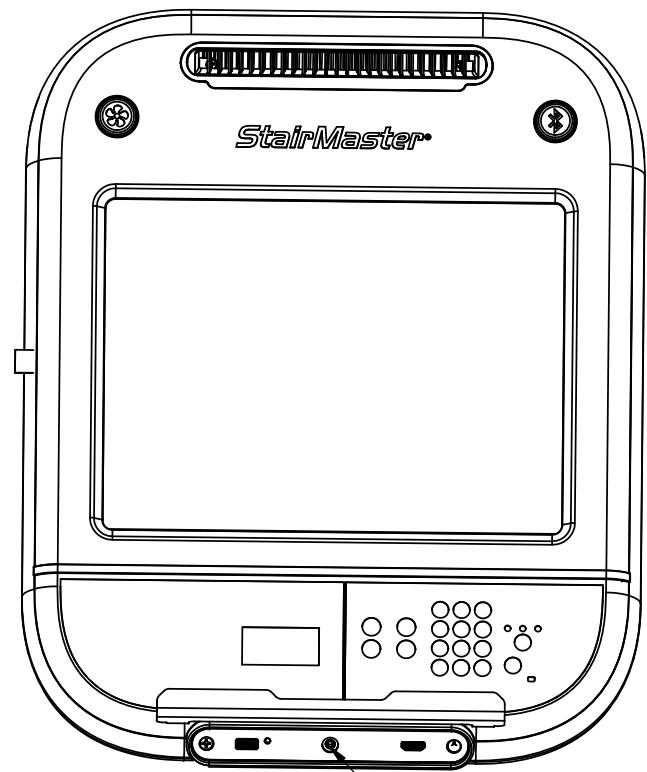
CORE HEALTH & FITNESS, LLC
4400 NE 77th Ave., Suite 300
Vancouver, WA 98662

CORE PART NO: 700-0314-XX REV: F

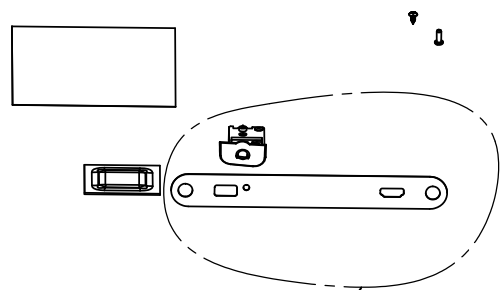
TITLE: CONSOLE, BCS - 15", PAL, SM

SCALE: 1:6 SHEET 1 OF 2 SHEET SIZE: B

CONFIGURATION FOR PRODUCTS WITHOUT A HOT BAR
 (STAIRMASTER FREECLIMBER)

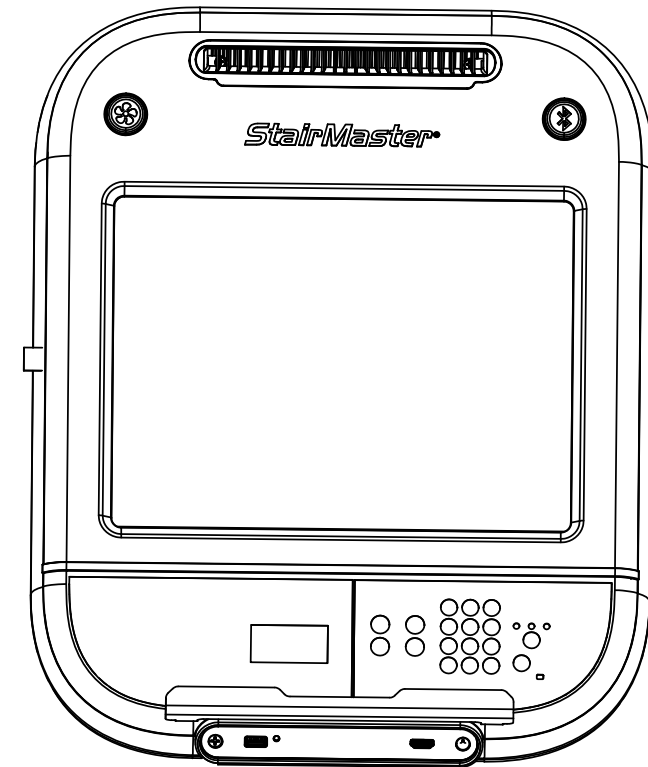


HEADPHONE JACK



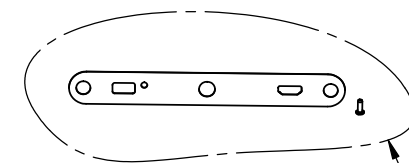
NOT NEEDED FOR THIS CONFIGURATION

CONFIGURATION FOR PRODUCTS WITH A HOT BAR
 (STAIRMASTER GAUNTLET)



INSTALL INTO HOT BAR

HEADPHONE JACK



NOT NEEDED FOR THIS CONFIGURATION



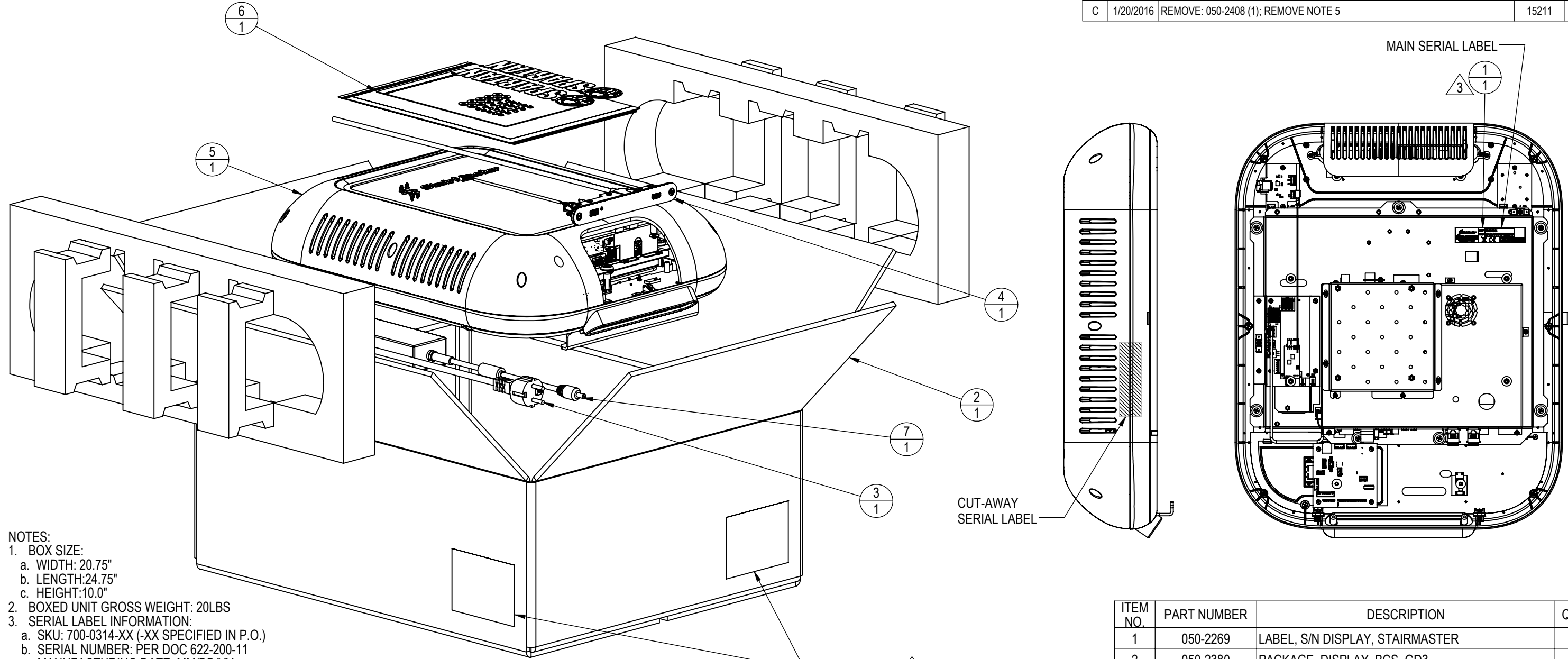
CORE HEALTH & FITNESS, LLC
 4400 NE 77th Ave., Suite 300
 Vancouver, WA 98662

CORE PART NO	700-0314-XX	REV	F
--------------	-------------	-----	---

TITLE	CONSOLE, BCS - 15", PAL, SM		
-------	-----------------------------	--	--

SCALE: 1:5	SHEET 2 OF 2	SHEET SIZE: B
------------	--------------	---------------

REVISION HISTORY				
REV	DATE	DESCRIPTION	ECO	BY
A	2/25/2015	PRODUCTION RELEASE	14878	SS
B	9/22/2015	REMOVE: 220-0270 (1); ADD: 220-0272 (1); UPDATE SKU/SERIAL NUMBER INFORMATION	15131	MMG
C	1/20/2016	REMOVE: 050-2408 (1); REMOVE NOTE 5	15211	MMG



- NOTES:
- BOX SIZE:
 - WIDTH: 20.75"
 - LENGTH: 24.75"
 - HEIGHT: 10.0"
 - BOXED UNIT GROSS WEIGHT: 20LBS
 - SERIAL LABEL INFORMATION:
 - SKU: 700-0314-XX (-XX SPECIFIED IN P.O.)
 - SERIAL NUMBER: PER DOC 622-200-11
 - MANUFACTURING DATE: MM/DD/YY
 - APPLY BOX LABEL (4X) WITH THE FOLLOWING INFORMATION:
 - MODEL: CONSOLE, BCS - 15", PAL, SM
 - SKU: 700-0314-XX (-XX SPECIFIED IN P.O.)
 - SERIAL NUMBER (SAME AS SERIAL LABEL)
 - SKU AND SERIAL NUMBER BAR CODE (Code 128)
 - DELETED
 - COLOR: -XX COLOR DESIGNATOR AS SPECIFIED IN SOP 620-8222

ITEM NO.	PART NUMBER	DESCRIPTION	QTY.
1	050-2269	LABEL, S/N DISPLAY, STAIRMASTER	1
2	050-2380	PACKAGE, DISPLAY, BCS, GD3	1
3	220-0272	ADAPTER, CORD LINE, CEE 7/7	1
4	701-0026-XX	ASSY, USB-HDMI PANEL	1
5	701-0150-XX	ASSY, CONSOLE, BCS - 15", PAL, SM	1
6	701-0170	KIT, TOOLS & DOCS, EMBEDDED, STAIRMASTER	1
7	712-4022	POWER SUPPLY, 90-260VAC/12VDC 5A MIN	1

DOCUMENT STATUS:

NOTICE OF PROPRIETARY INFORMATION

THIS DOCUMENT SHALL NOT BE REPRODUCED NOR SHALL THE INFORMATION CONTAINED HEREIN BE USED BY OR DISCLOSED TO OTHER EXCEPT AS EXPRESSLY AUTHORIZED BY CORE HEALTH & FITNESS, LLC.

CLASS OF WORK	UNLESS OTHERWISE SPECIFIED DIMS ARE IN mm. TOLERANCES FOR MEASURE OF LENGTH ARE:							ANGLES = ±2°
	0.5 to 3	> 3 to 6	> 6 to 30	> 30 to 120	> 120 to 400	> 400 to 1000	> 1000 to 2000	
FINE	±0.05	±0.05	±0.1	±0.15	±0.2	±0.3	±0.5	----
MEDIUM X	±0.1	±0.1	±0.2	±0.3	±0.5	±0.8	±1.2	±2
COARSE	±0.2	±0.3	±0.5	±0.8	±1.2	±2	±3	±4
VERY COARSE	----	±0.5	±1	±1.5	±2.5	±4	±6	±8

MATERIAL SEE BOM

FINISH N/A

VENDOR: Digital Concepts, Inc.

P/N:

THIRD ANGLE PROJECTION



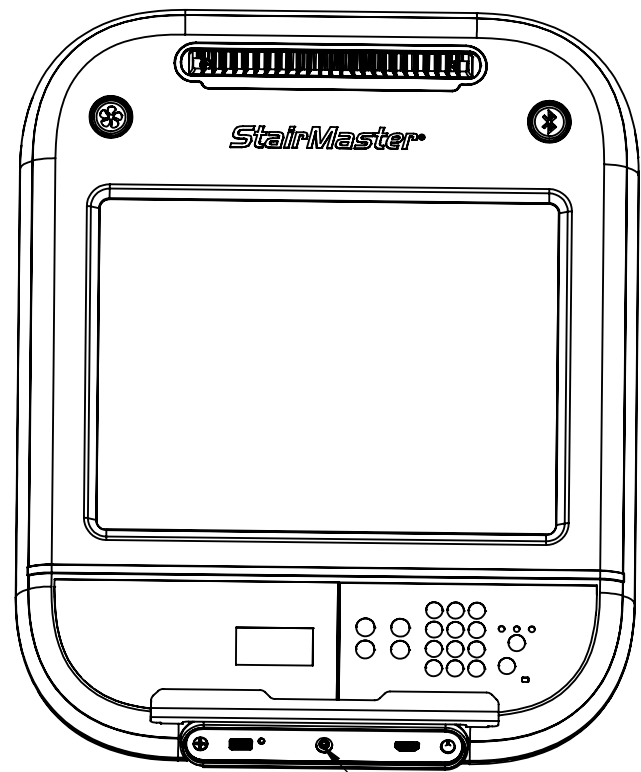
DRAWN	INITIAL SS	DATE 2/25/2015
CHECKED		
APPROVED		
	U.O.M.	MM

CORE HEALTH & FITNESS, LLC

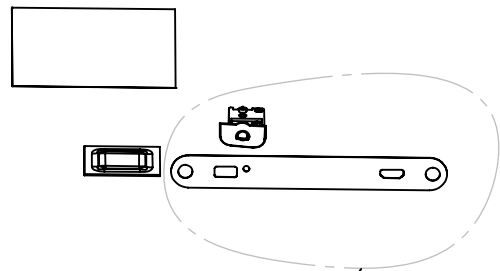
4400 NE 77th Ave., Suite 300
Vancouver, WA 98662

CORE PART NO	REV
700-0314-XX	C
TITLE	
CONSOLE, BCS - 15", PAL, SM	
SCALE: 1:5	SHEET 1 OF 2
SHEET SIZE: B	

CONFIGURATION FOR PRODUCTS WITHOUT A HOT BAR
(STAIRMASTER FREECLIMBER)

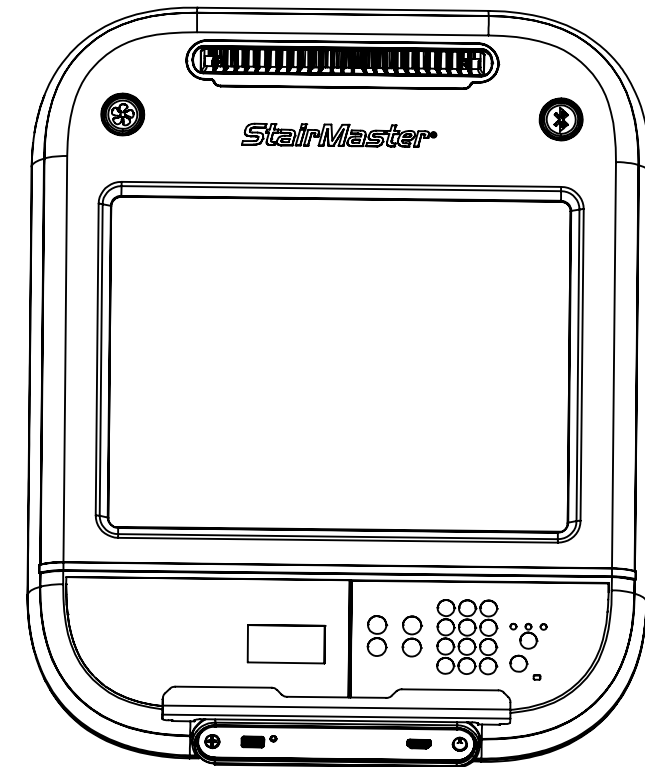


HEADPHONE JACK



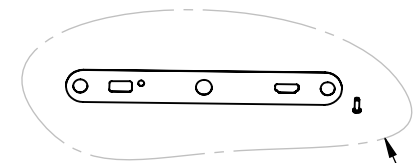
NOT NEEDED FOR THIS CONFIGURATION

CONFIGURATION FOR PRODUCTS WITH A HOT BAR
(STAIRMASTER GAUNTLET)



INSTALL INTO HOT BAR

HEADPHONE JACK



NOT NEEDED FOR THIS CONFIGURATION

CORE HEALTH & FITNESS, LLC
4400 NE 77th Ave., Suite 300
Vancouver, WA 98662

CORE PART NO	700-0314-XX	REV	C
--------------	-------------	-----	---

TITLE
CONSOLE, BCS - 15", PAL, SM

SCALE: 1:5 | SHEET 2 OF 2 | SHEET SIZE: B

NOTES:

1. USE NON MARKING, LOW TACK, CLEAR TAPE TO HOLD BACK PLASTIC
2. CLEAN MATING SURFACE WITH DENATURED ALCOHOL PRIOR TO ADHERING
3. APPLY 13-17 lb-in/ 1.5-1.9 NM TORQUE
4. APPLY 8-12 lb-in/ 0.9-1.4 NM TORQUE
5. APPLY PRESSURE FOR AT LEAST 5 SEC FOR ADHESIVE TO ADHERE TO PLASTIC SHROUD WHEN HR BOARD IS MOUNTED
6. COLOR DESIGNATOR PER -XX AS SPECIFIED IN PARENT SKU, -XX COLOR PER SOP 622-200-112
7. FLASH MODULE TO BE PROGRAMMED WITH THE LATEST VERSION OF SOFTWARE (621-0067-PRG)
8. SEE 620-8519 FOR CABLE ROUTING

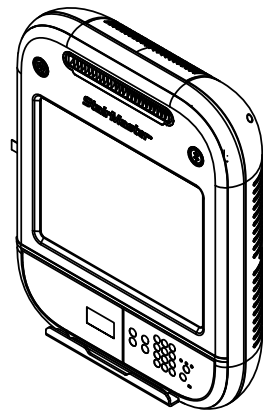


REVISION HISTORY

REV	DATE	DESCRIPTION	ECO	BY
A	2/24/2015	PRODUCTION RELEASE	14878	SS
B	9/21/2015	REMOVE: 701-0057 (1), 701-0058 (1), 715-3782 (1), 715-3803 (1); ADD: 110-3176 (2), 701-0136 (1), 701-0137 (1); QTY CHANGE: 110-3163 (IS 12, WAS 14)	15131	MMG
C	1/21/2016	REMOVE: 020-7434-XX (1), 110-3148 (2); ADD: 701-0183-XX (1), 711-3489 (1), 715-3834 (1)	15211	MMG
D	6/21/2016	REMOVE: 110-3638 (7); ADD: 110-3736 (7); UPDATE NOTE 6	15255	MMG
E	8/25/2016	REPLACE 110-3163 (12) WITH 110-3758 (12); REPLACE 020-7508-XX (1) WITH 701-0216-XX (1)	15463	MMG
F	1/17/2017	ADDED: 701-0257 (1), 701-0253 (1), 701-0282 (1), 701-0283 (1), 701-0260 (1), 701-0275 (1), 701-0277 (1), 701-0256 (1), 701-0241 (1), 140-3639 (4), 110-3161 (1), 701-0254 (1), 701-0261 (1), & NOTE #8 REMOVED: 220-0295, 701-0077, 701-0136, 701-0137, 701-0164, 715-3676, 715-3772, 715-3805, 718-5196, 715-3946, 701-0049 CHANGE: 140-0210 (QTY IS 7, WAS 4)	15622	ZDH

ITEM NO.	PART NUMBER	DESCRIPTION	QTY.	NOTES
1	020-7435-XX	PLASTIC, DISPLAY. REAR, UPPER COVER, BCS	1	
2	020-7440-XX	BRACKET, MAG RACK	1	
3	020-7445-XX	PLASTIC, DISPLAY, FAN VENT	1	
4	050-2368	LABEL, BCS, START/STOP	1	
5	110-3176	SCREW, M3X6,PHM,PH,CS,ZI	2	
6	110-3229	Screw, M3x0.5, 10mm, PHM, PH, CS, ZI	2	
7	110-3402	SCREW, #8-18, 3/4", HI-LOW, PHT, PH, CS, BO	17	REF
8	110-3631	STANDOFF, M3, 10mm x 6mm, 18-8 STAINLESS	2	
9	110-3736	SCREW, #8-18, 1", HI-LOW, PHT, PH, CS, BZ	7	
10	110-3758	SCREW, M3x0.5, 8mm, PHM, PH, CS, ZP	12	
11	120-3307	WASHER, M4, 4.3mm I.D. X 12mm O.D., ISO 7089	7	
12	140-0210	TIE STRAP, 3.5"	7	
13	140-3467	FOAM, ADHESIVE, 202.5mm x 1/8" THICK	2	
14	140-3468	FOAM, ADHESIVE, 308.25mm 1/8" THICK	2	
15	240-6918	CONNECTOR, 8-PIN, 90-DEG	2	
16	701-0013	ASSY, PCB, Fan- LED	1	
17	701-0023	ASSY, PCB, RUBBER, BLUETOOTH	1	
18	701-0027	ASSY, FAN ASSEMBLY	1	
19	701-0031	ASSY, PCB, RUBBER, FAN	1	

ITEM NO.	PART NUMBER	DESCRIPTION	QTY.	NOTES
20	701-0060	ASSY, ENTERTAINMENT INSERT, EMBEDD	1	
21	701-0066	ASSY, WAHOO BLE	1	
22	701-0116	ASSY, 15", TOUCH SC W/CHR, GD3, NTSC, QAM	1	
23	701-0183-XX	KIT, REAR PLASTIC & DECAL, BCS, GD3, STAIRMASTER	1	
24	701-0216-XX	PLASTIC, DISPLAY, LCD, DECORATIVE, EMBD, BCS, SM, W/ INSERTS	1	
25	711-3489	ASSY, CABLE, ADAPTER, SM	1	
26	715-3834	CABLE, 3.5mm PHONE PATCH	1	
27	715-3864	ASSY, WIRELESS HR, POLAR, 92cm L.R.	1	
28	701-0241	ASSY, CABLE, FAN-BLE KEY, TREAD	1	
29	701-0275	CABLE, DIGITAL INTERFACE	1	
30	701-0277	ASSY, CABLE, WIRELESS HR	1	
31	701-0260	HARNESS, DISPLAY GND STRAP, PRO	1	
32	701-0282	ASSY, CABLE, GROUNDING, LEFT KEYPADS, BCS, EMB	1	
33	701-0283	ASSY, CABLE, GROUNDING, RIGHT KEYPADS, BCS, EMB	1	
34	701-0257	CABLE, CSAFE, EMBEDDED	1	
35	701-0256	CABLE, POWER, MYE RECEIVER, EMBEDDED	1	
36	701-0253	ASSY, CABLE, EMBEDDED FAN LED-KEY	1	
37	140-3639	TIE STRAP, FASTENER MOUNTING	4	
38	110-3161	SCREW, M3X12, PHM, PH, CS, ZI	1	
39	701-0254	ASSY, CABLE, POWER EXT, EMBEDDED	1	
40	701-0261	ASSY, CABLE, MAIN INTERFACE, BCS EMBEDDED	1	



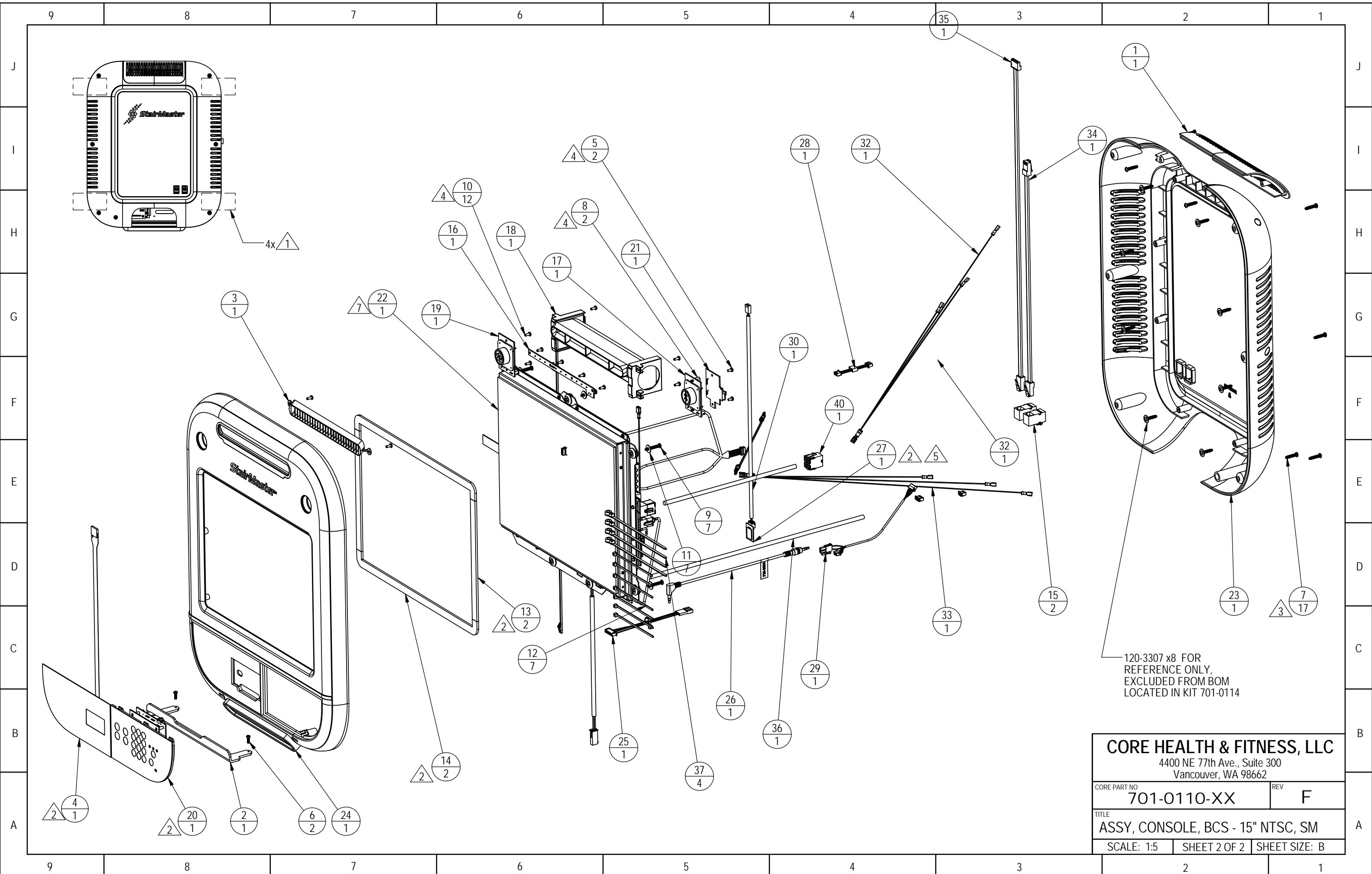
DOCUMENT STATUS:

NOTICE OF PROPRIETARY INFORMATION

THIS DOCUMENT SHALL NOT BE REPRODUCED NOR SHALL THE INFORMATION CONTAINED HEREIN BE USED BY OR DISCLOSED TO OTHER EXCEPT AS EXPRESSLY AUTHORIZED BY CORE HEALTH & FITNESS, LLC.

CLASS OF WORK	UNLESS OTHERWISE SPECIFIED DIMS ARE IN mm. TOLERANCES FOR MEASURE OF LENGTH ARE:								MATERIAL SEE BOM
	0.5 to 3	> 3 to 6	> 6 to 30	> 30 to 120	> 120 to 400	> 400 to 1000	> 1000 to 2000	> 2000	
FINE	±0.05	±0.05	±0.1	±0.15	±0.2	±0.3	±0.5	----	FINISH N/A
MEDIUM	±0.1	±0.1	±0.2	±0.3	±0.5	±0.8	±1.2	±2	
COARSE	±0.2	±0.3	±0.5	±0.8	±1.2	±2	±3	±4	
VERY COARSE	----	±0.5	±1	±1.5	±2.5	±4	±6	±8	

THIRD ANGLE PROJECTION		CORE HEALTH & FITNESS, LLC	
		4400 NE 77th Ave., Suite 300 Vancouver, WA 98662	
DRAWN	INITIAL SS	DATE 2/24/15	CORE PART NO 701-0110-XX
CHECKED			REV F
APPROVED			TITLE ASSY, CONSOLE, BCS - 15" NTSC, SM
VENDOR: N/A		P/N: N/A	
	U.O.M.	MM	SCALE: 1:10
			SHEET 1 OF 2
			SHEET SIZE: B



120-3307 x8 FOR
REFERENCE ONLY,
EXCLUDED FROM BOM
LOCATED IN KIT 701-0114

CORE HEALTH & FITNESS, LLC

4400 NE 77th Ave., Suite 300
Vancouver, WA 98662

CORE PART NO		REV
701-0110-XX		F
TITLE		
ASSY, CONSOLE, BCS - 15" NTSC, SM		
SCALE: 1:5	SHEET 2 OF 2	SHEET SIZE: B